

NOTES:

□> APPLY LOCTITE QUICKSTIX 248 THREAD LOCKER, PER MANUFACTURER'S SPECIFICATION.

601	P/N : CW30942-102	SUBREV : M
DRAWN BY : KAW	DATE : 5.16.13	SHEET 1 OF 6

D

C

B

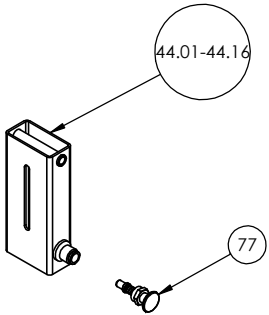
A

4

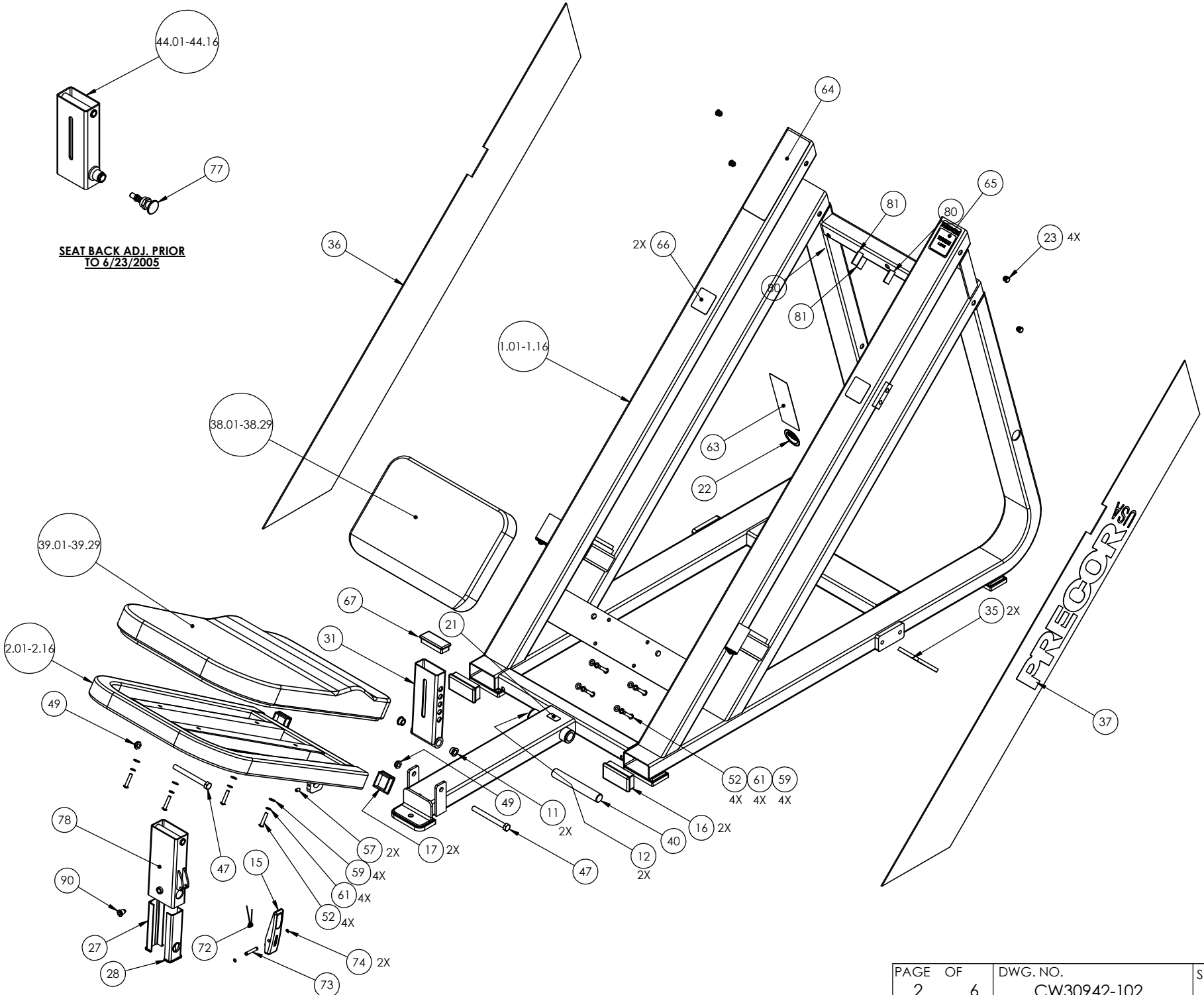
3

2

1



**SEAT BACK ADJ. PRIOR
TO 6/23/2005**



PRECORP
USA

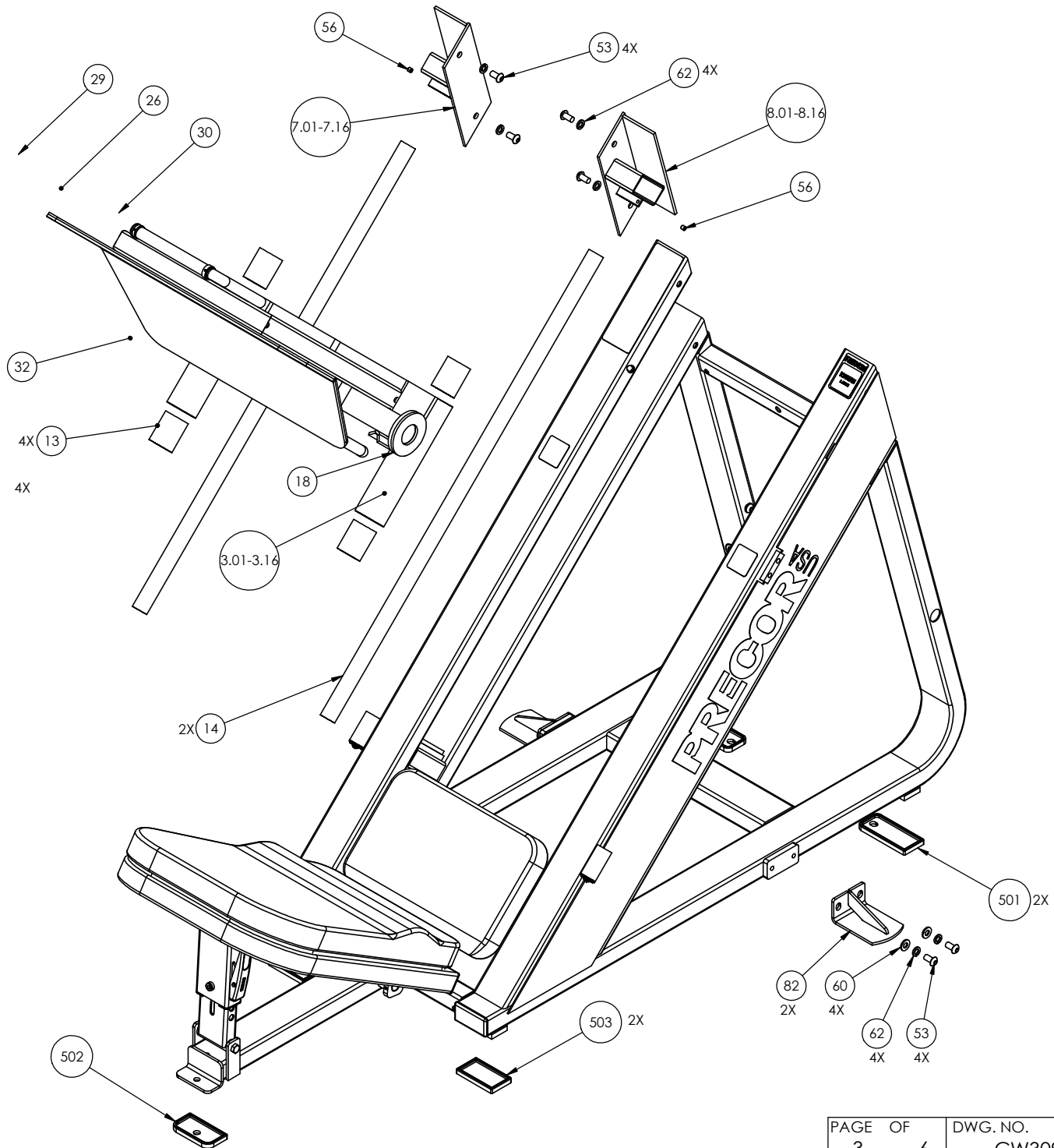
PAGE	OF	DWG. NO.	SUBREV
2	6	CW30942-102	M

4

3

2

1



D

C

B

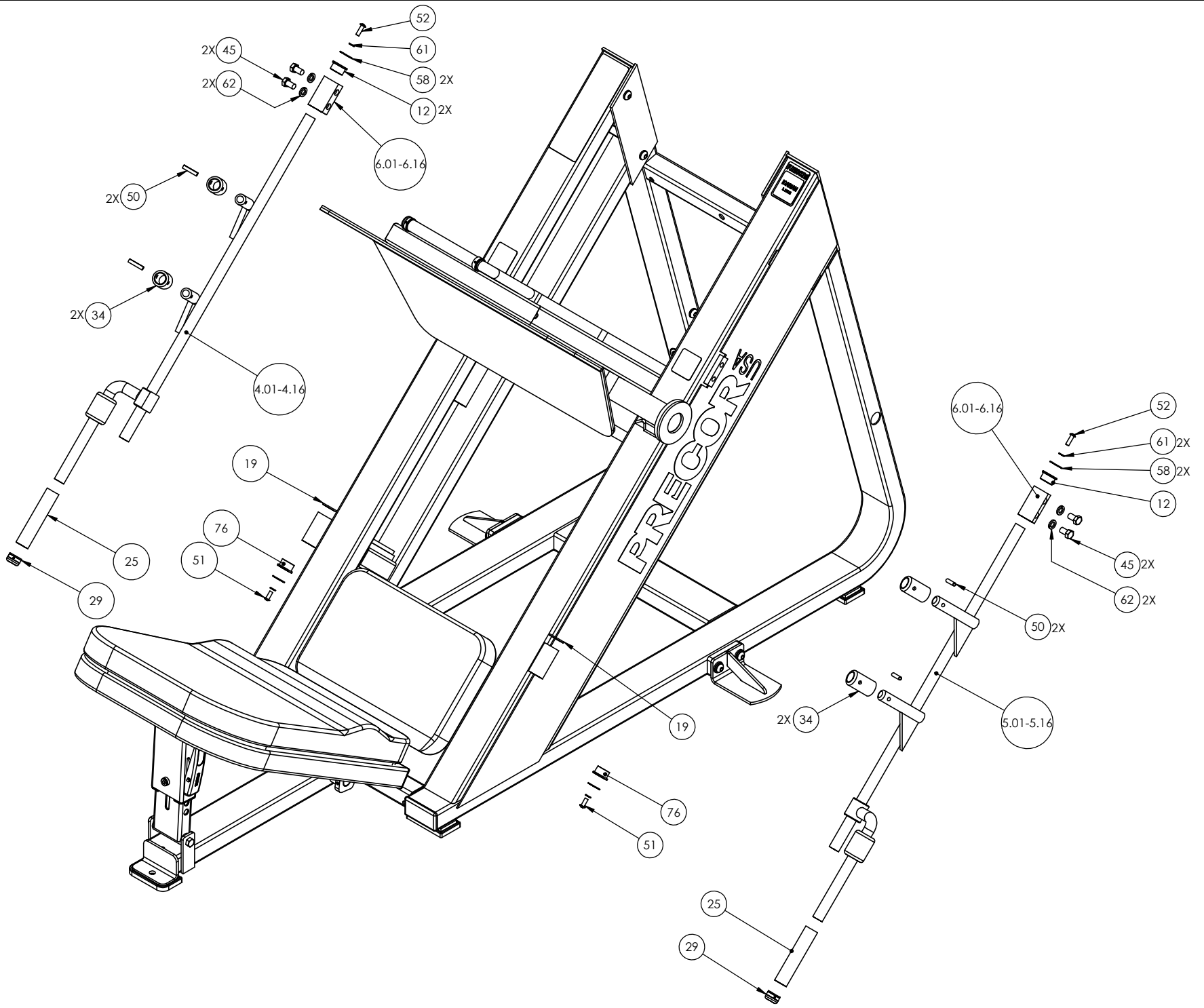
A

4

3

2

1



D

C

B

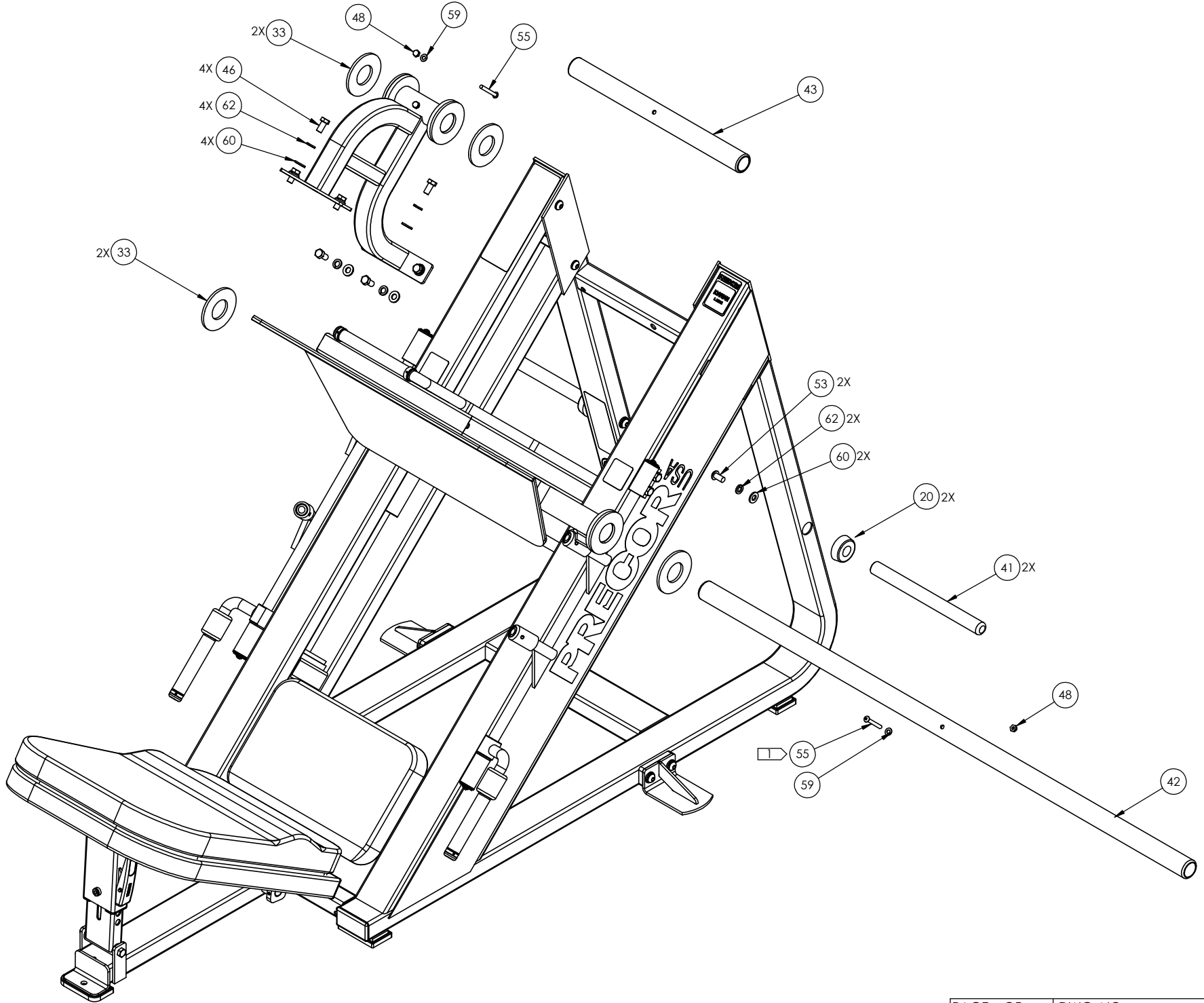
A

4

3

2

1



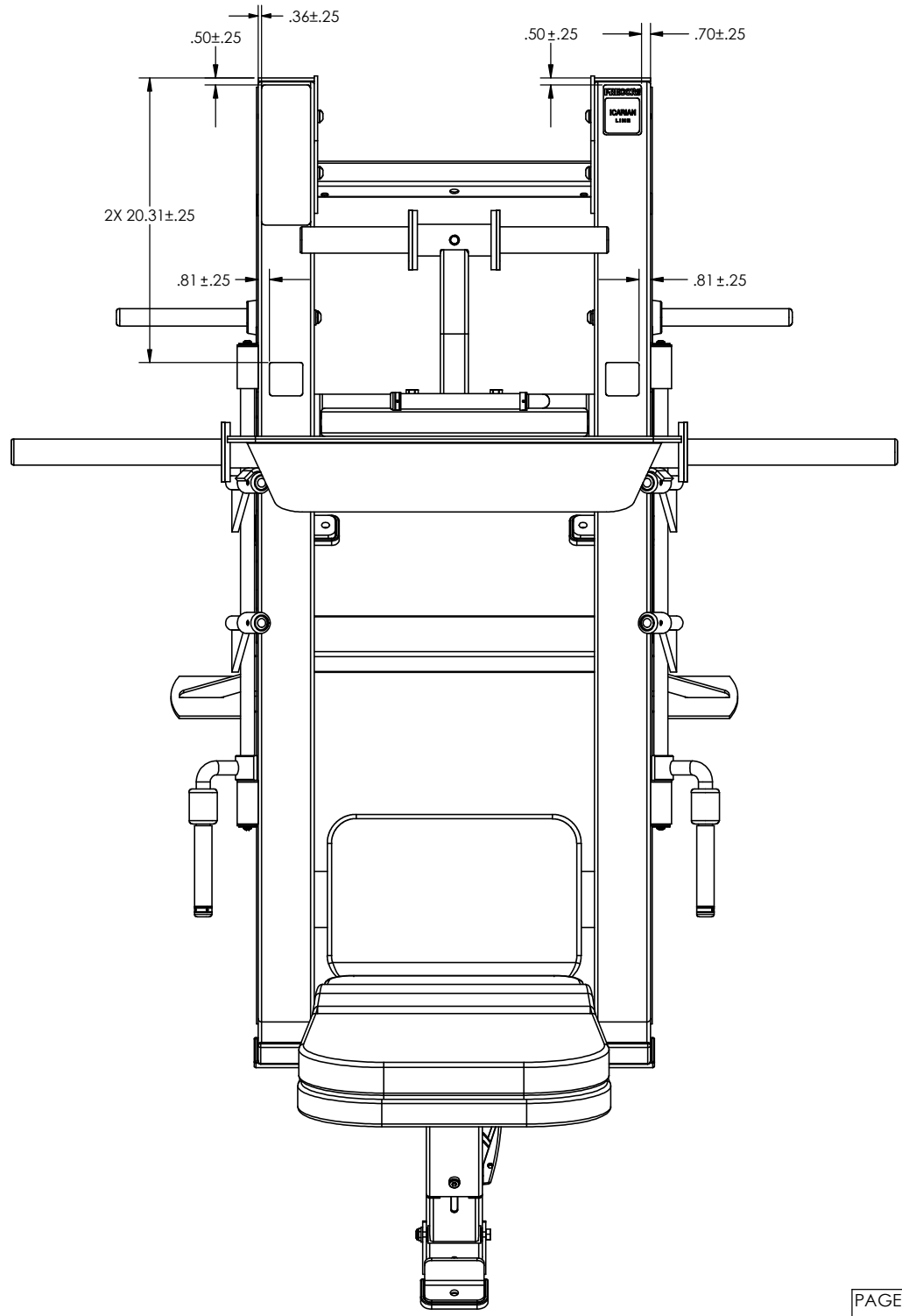
PAGE	OF	DWG. NO.	SUBREV
5	6	CW30942-102	M

D

C

B

A



601 Angled Leg Press with Flat Platform

Part Number	Description	Bubble Number
CW601SA1-211	ASSY,FRAME,MAIN,601,SKY WHITE	1.01
CW601SA1-311	ASSY,FRAME,MAIN,601,STONE HG	1.11
CW601SA1-321	ASSY,FRAME,MAIN,601,TITANIUM HG	1.12
CW601SA2-211	ASSY,BACK PAD,FRAME,601,SKY WHITE	2.01
CW601SA2-321	ASSY,BACK PAD,FRAME,601,TITANIUM HG	2.12
CW601SA3-211	ASSY, CARRIAGE, 601,SKY WHITE	3.01
CW601SA3-311	ASSY, CARRIAGE, 601,STONE HG	3.11
CW601SA3-321	ASSY, CARRIAGE, 601,TITANIUM HG	3.12
CW601SA4-211	ASSY,CARRIAGE STOP,LEFT,601,SKY WHI	4.01
CW601SA4-311	ASSY,CARRIAGE STOP,LEFT,601,STONE H	4.11
CW601SA4-321	ASSY,CARRIAGE STOP,LEFT,601,TITANIU	4.12
CW601SA5-211	ASSY,CARRIAGE STOP,RIGHT,601,SKY WH	5.01
CW601SA5-221	ASSY,CARRIAGE STOP,RIGHT,601,BLACK	5.02
CW601SA5-311	ASSY,CARRIAGE STOP,RIGHT,601,STONE	5.11
CW601SA5-321	ASSY,CARRIAGE STOP,RIGHT,601,TITANI	5.12
CW601SA6-211	ASSY,ROD SUPPORT,601,SKY WHITE	6.01
CW601SA6-311	ASSY,ROD SUPPORT,601,STONE HG	6.11
CW601SA6-321	ASSY,ROD SUPPORT,601,TITANIUM HG	6.12
CW601SA7-211	ASSY,SHAFT SUPPORT,LEFT,601,SKY WHI	7.01
CW601SA7-311	ASSY,SHAFT SUPPORT,LEFT,601,STONE H	7.11
CW601SA7-321	ASSY,SHAFT SUPPORT,LEFT,601,TITANIU	7.12
CW601SA8-311	ASSY,SHAFT SUPPORT,RIGHT,601,STONE	8.11
CW601SA8-321	ASSY,SHAFT SUPPORT,RIGHT,601,TITANI	8.12
CW601SA9-211	ASSY, OPTIONAL WEIGHT ADD-ON HOLDER	9.01
CW601SA9-311	ASSY,OPTIONAL WEIGHT ADD-ON HOLDER,	9.11
CW601SA9-321	ASSY, OPTIONAL WEIGHT ADD-ON HOLDER	9.12
CW10043-134	BUSHING, BRONZE, 1" ID X 1 1/4" OD	12
CW12571-102	LINEAR BEARING, CLOSED TYPE, 1.500/	13
CWPF3501-901	GUIDE ROD,STEEL,OD 1.5 X 48.5 CASE	14
CW32460-221	ASSY, RATCHETING LEVER, BLACK	15
CW11311-102	ENDCAP, REC TUBE, 2X4, BLK PLASTIC	16
CW11311-103	ENDCAP, REC TUBE, 2X2, BLK PLASTIC	17
CWACHN238-008	SNAP RING RETAINER,(SUPER 24)	18
CW35132-101	WASHER, THRUST, 1.562 OD X .120 (TR	19
CW12402-102	BUMPER, ID 1.248 , BLK RUBBER	20
CW34822-101	LABEL, "ASSEMBLED IN THE USA"	21
CWGR4605-750	GRIP, RUBBER, 1.00" OD HANDLE, 5.75	25
CWGR4608-500	GRIP, RUBBER, 1.00" OD HANDLE, 8.50	26
CWAC1236-104	GUIDE INSERT, PLASTIC WITH HOLE, BL	28
CWAC218-901	HANDLE END CAP W/SET SCREWS, DIA 1"	29
CWAC219-902	HNDL RETAINER RNG, W/SS,1.040" I.D.	30
CW32209-711	ASSEMBLY, BACK ADJUSTMENT, 5 HOLE,	31
CWCP1002-102	CUT PIECE, CREPE, 1/4 THICK, 2.00 I	33
CWCP1017-101	CUT PIECE, UHMW, 1 1/2 OD X 1 ID X	34
CWCP1034-102	CUT PIECE, CREPE, 3/8 THICK, 3.00 X	35
CW30514-101	CUT PIECE, ABS BLACK, 1/8 X 7 1/2 X	36
CW30515-101	CUT PIECE, ABS BLACK, 1/8 X 7 1/2 X	37
CWPD1137B-101	PAD,12X18,4HOLES,W/BP,BLACK	38.01

CWPD1502B-101	PAD,18X22X30.25,4HLS,W/BP,BLACK	39.01
CWPF1110-733	BAR,STEEL RND, DIA .995 X 7.00, BLK	40
CWPF1468-741	BAR,STEEL RND, DIA 1 1/4" X (14), 1	41
CWSA1098-741	ASSY, WEIGHT HOLDER, 63 1/4",CLR ZI	42
CWSA2051-741	ASSY, WEIGHT HOLDER, 22",CLR ZN	43
CWSA3021-212	ASSY,FEMALE BACKPAD SELECTOR,SKY WH	44.01
CWSA3021-222	ASSY,FEMALE BACKPAD SELECTOR,BLACK	44.02
CWSA3021-312	ASSY,FEMALE BACKPAD SELECTOR,STONE	44.11
CWSA3021-322	ASSY,FEMALE BACKPAD SELECTOR,TITANI	44.12
CWSA3021-352	ASSY,FEMALE BACKPAD SELECTOR,LIGHT	44.15
CWSA3021-362	ASSY,FEMALE BACKPAD SELECTOR,SAPPHI	44.16
CWHCCN050-088	SCREW, HEX HEAD, ZN, 1/2-13 X 7/8	45
CWHCYN050-100	SCREW,HEX HEAD,BLK XYLAN,1/2-13 X 1	46
CWHCYN050-500	SCREW, HEX HEAD, BLK XYLAN, 1/2-13	47
CWKADLN031-053	NUT, ACORN, 5/16-18	48
CWKAYN050-031	LOCKNUT, NYLON INSERT, HALF, UNC, 1	49
CWLDNN031-150	SLOTTED PIN SPRING, DIA. 5/16 X 1 1	50
CWTAYN031-050	SCREW, BUTTON HEAD, BLK XYLAN, 5/16	51
CWTAYN031-100	SCREW, BUTTON HEAD, BLK XYLAN, 5/16	52
CWTAYN031-150	SCREW, BUTTON HEAD, BLK XYLAN, 5/16	52
CWTAYN050-100	SCREW, BUTTON HEAD, BLK XYLAN, 1/2	53
CWTAYN031-250	SCREW, BUTTON HEAD, BLK XYLAN, 5/1	55
CWEANN038-038	SCREW,SET,SCKT,CUP POINT,3/8-16X3/8	56
CWEANN031-050	SCREW,SET,SCKT,CUP POINT,5/16-18 X	57
CWWABKN031-007	WASHER, FENDER,BLK ZN, 5/16 ID X 1	58
CWWBKN031-007	WASHER, FLAT, TYPE A, SAE, 5/16 ID	59
CWWBKN050-010	WASHER, FLAT, TYPE A, SAE, 1/2 ID X	60
CWWALYN031-008	WASHER, SPLIT, 5/16 ID, BL	61
CWWALYN050-013	WASHER, SPLIT, 1/2 ID, BLK XYLAN	62
CW30010-102	LABEL,WARNING STRENGTH	63
CW30043-101	LABEL,INSTRUCTION,601	64
CW31759-101	LABEL, SMALL PRECOR USA ICARIAN LIN	65
CW35144-101	LABEL, MAX LOAD, PLATE-LOADED STREN	66
CWEANN038-038	SCREW,SET,SCKT,CUP POINT,3/8-16X3/8	66
CW12634-101	SPRING, TORSION 90 DEG X 0.484 X 0.	72
CW31770-742	LATCH PIVOTING PIN, CLR ZN	73
CWAMNN028-003	RING, RETAINING, 2-TURN, SPIRAL, SS	74
CW35131-101	BUSHING, BRONZE, 1" ID X 1 1/4" OD,	76
CW33286-731	WELDMENT, STABILITY FOOT,BLACK ZINC	82
CW31784-731	STOP PLUG, BLK ZN	90
CWAC1178-101	FLOOR PROTECTOR, RUBBER, 2.563 X 6.	501
CWAC1179-101	FLOOR PROTECTOR, RUBBER, 4.813 X 2.	502
CWAC1180-101	FLOOR PROTECTOR, RUBBER, 2.563 X 4.	503